

HP ProLiant

ML310 G3 Storage Server

installation instructions



© Copyright 2005 Hewlett-Packard Development Company, L.P.

Windows® is a U.S. registered trademark of Microsoft Corporation.

First edition December 2005

Product names mentioned herein may be trademarks of their respective companies as reflected by an associated footnote.

The information in this document is subject to change without notice.

www.hp.com



About this document

This document provides procedures for installing the HP ProLiant ML310 G3 Storage Server. HP assumes that you are qualified in servicing computer equipment, and trained in recognizing hazards in products with hazardous energy levels.

Regulatory notice

The rating label on the device gives the class (A or B) of the equipment. Class B devices have an FCC logo or ID on the label. Class A devices do not have an FCC logo or ID on the label. After you have determined the device class, see the *HP ProLiant Storage Server user guide* for complete regulatory compliance notices. This guide is printed, and also provided in the product kit as a file on the documentation CD.

Kit contents

Included in your storage server kit are the following:

- HP ProLiant ML310 G3 Storage Server (with operating system preloaded)
- Power cord
- Documentation CD—Contains administration guide, user guide, and these installation instructions.
- Quick Restore DVD
- Service Release DVD
- Safety and Disposal Documentation CD
- *HP ProLiant Storage Server user guide*
- ProLiant Essentials Integrated Lights-Out Advanced Pack
- End user license agreements

NOTE: A keyboard and mouse are not included with the storage server.

▲ Important Safety Information

Before installation, read *Important Safety Information* on the Documentation CD.

.Documentation CD قبل التثبيت، اقرأ معلومات هامة حول السلامة على القرص المضغوط

Před instalací si přečtěte příručku *Důležité bezpečnostní informace* na disku CD.

安裝之前，請閱讀文檔 CD 上的 **重要安全信息**。

安裝前，請閱讀說明文件光碟上的「**重要的安全性資訊**」。

Les dokumentet Viktige sikkerhetsoplysninger på dokumentations-cd'en, før produktet installeres.

Lesen Sie vor der Installation die *Sicherheitshinweise* auf der Documentation CD.

Enne installimist vt dokumentatsiooni CD-lt peatükki „*Tähtis ohutusteave*“.

Antes de la instalación, lea la sección *Información de seguridad importante* del CD Documentación.

Avant l'installation, lisez les *informations importantes relatives à la sécurité* CD Documentation.

Πριν την εγκατάσταση, διαβάστε *Σημαντικές πληροφορίες ασφαλείας* στο CD Documentation.

לפני ההתקנה, קרא את המידע הבטיחותי החשוב שב-CD Documentation (תקליטור התיעוד).

Prijje ugradnje, pročitajte *Važne sigurnosne informacije* na dokumentacijskom CD-u.

Prima dell'installazione, leggere sul CD le *Informazioni importanti sulla sicurezza*.

インストール前に、Documentation CDの「安全に使用していただくための」をお読みください。

설치하기 전에 Documentation CD의 주요 안전 수칙을 읽으십시오.

Pirms instalācijas, izlasiet drošības informāciju dokumentācijas CD.

Prieš diegdami perskaitykite *Svarbią saugos informaciją* dokumentacijos CD.

Telepítés előtt olvassa el a dokumentációs CD *Fontos biztonsági tudnivalók* dokumentumát.

Lees de *Belangrijke veiligheidsinformatie* op de documentatie-cd voordat u de installatie uitvoert.

Les "Viktig sikkerhetsinformasjon" på dokumentasjons-CDen før du installerer dette produktet.

Przed instalacją przeczytaj *Ważne informacje dotyczące bezpieczeństwa*

na dysku CD Documentation.

Antes da instalação, leia as *Informações Importantes sobre Segurança* no CD da Documentação.

Перед установкой ознакомьтесь с разделом *Указания по технике безопасности*

на компакт-диске «Документация».

Pred instaláciou si prečítajte časť *Dôležité bezpečnostné informácie* na disku Documentation CD.

Pred nameštovaním preberite *Pomembne varnostne informacije* na CD-ju Documentation.

Tärkeisiin turvatietoihin" Documentation CD -levyllä ennen tuotteen asentamista.

Läs dokumentet Viktig säkerhetsinformation på dokumentations-cd:n innan du installerar denna produkt.

Yüklemeden önce, Documentation CD'sindeki *Önemli Güvenlik Bilgileri*'ni okuyun.

Перед установкою прочитайте *Важливі відомості з безпеки* на CD документації.

Operating system

The HP ProLiant ML310 G3 Storage Server is preloaded with the Windows® Storage Server 2003 operating system. Prior to power up, deployment instructions found in the *HP ProLiant Storage Server user guide* should be followed to enable the successful configuration of the storage server.

Installing a storage server (tower)

Follow the steps in this section to set up a tower model server.

▲ WARNING! To reduce the risk of electric shock, fire, or damage to the equipment, do not plug telephone or telecommunications connectors into RJ-45 connectors.

1. Connect network cable and any peripheral devices to the server.
2. Connect the power cord to the back of the server.
3. Connect the power cord to the AC power source.
4. See the storage server startup chapter in the *HP ProLiant Storage Server user guide*.



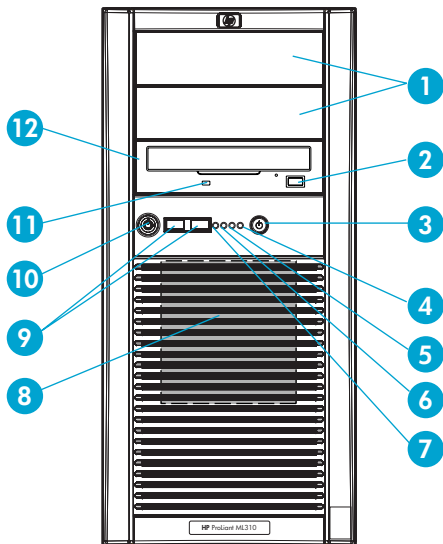
* 4 0 6 5 4 0 - 0 0 1 *

⚠ WARNING! To reduce the risk of personal injury or damage to the equipment:

- Do not disable the power cord grounding plug. The grounding plug is an important safety feature.
- Plug the power cord into a grounded (earthed) electrical outlet that is easily accessible at all times.
- Unplug the power cord from the power supply to disconnect power to the equipment.
- Do not route the power cord where it can be walked on or pinched by items placed against it. Pay particular attention to the plug, electrical outlet, and the point where the cord extends from the server.

Callouts

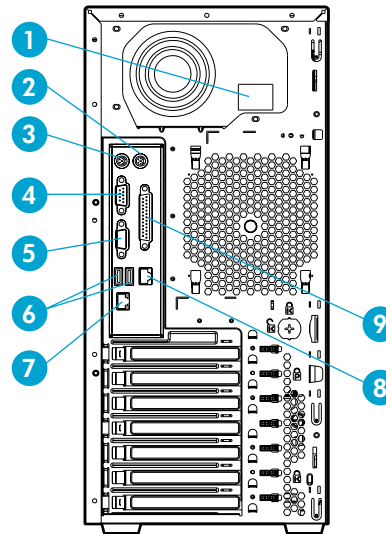
Front panel



gl0040

- 1 Media bays (bezel blanks)
- 2 CD-ROM drive ejector button
- 3 Power on/Standby button
- 4 Power on/Standby LED
- 5 Hard drive activity LED
- 6 NIC link/activity LED
- 7 Internal system health LED
- 8 Hard drive bays
- 9 USB connectors (2)
- 10 Bezel lock
- 11 CD-ROM drive indicator LED
- 12 CD-ROM drive

Rear panel



gl0041

- 1 Power cord connector
- 2 Mouse connector
- 3 Keyboard connector
- 4 Serial connector
- 5 Video connector
- 6 USB connectors (2)
- 7 RJ-45 Ethernet connector
- 8 RJ-45 connector (iLO)
- 9 Parallel connector

Registering the server

To register your product, visit the HP Registration web site at:

<http://register.hp.com>

Additional information

The *HP ProLiant Servers Troubleshooting Guide* provides simple procedures for resolving common problems as well as a comprehensive course of action for fault isolation and identification, error message interpretation, issue resolution, and software maintenance. Keep in mind that some information may not apply to a storage server.

To obtain the guide, refer to one of the sources below, and then select the *HP ProLiant Servers Troubleshooting Guide*.

- The Business Support Center on the HP web site
<http://www.hp.com/support>
You can find the guide by using the navigation features on the web site.
- The Technical Documentation web site
<http://www.docs.hp.com>
Select **Enterprise Servers, Workstations and Systems Hardware**, and then the appropriate server.